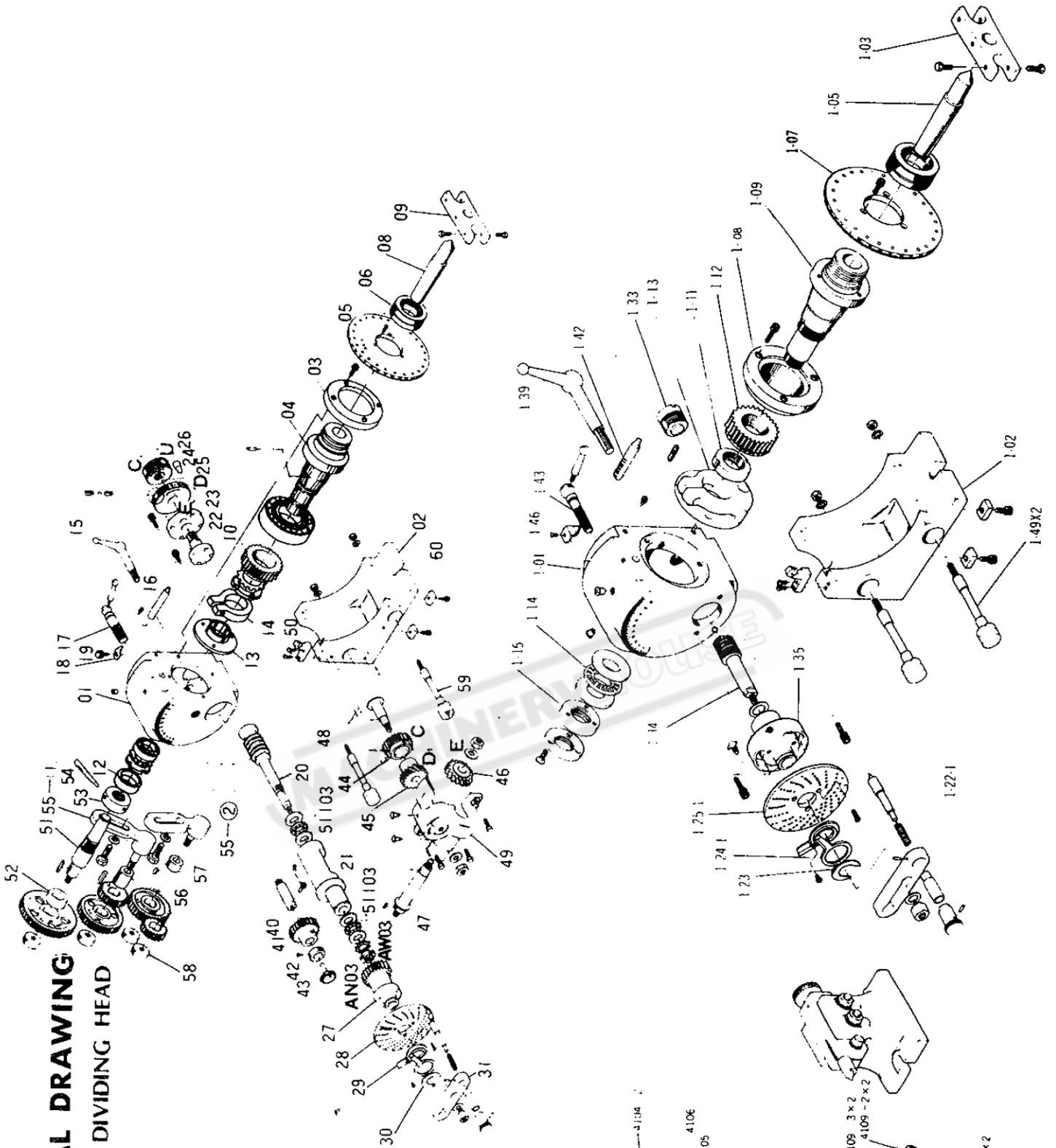
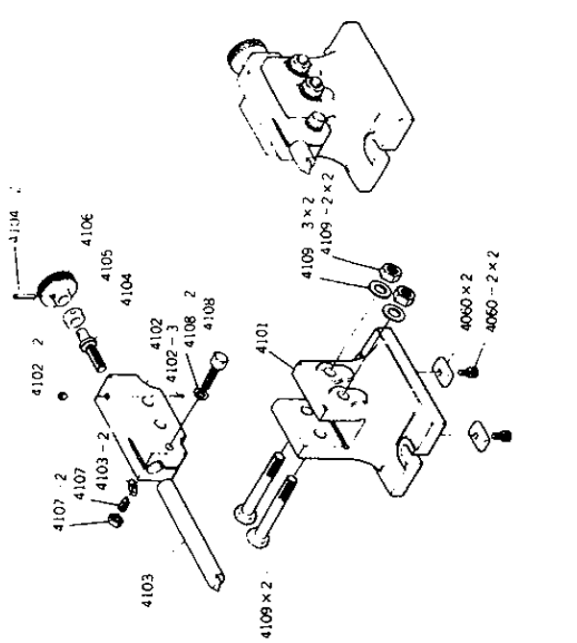


CONSTRUCTIONAL DRAWING

BS-2 DIVIDING HEAD



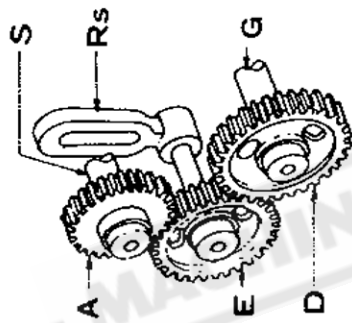
BS-0.1. DIVIDING HEAD



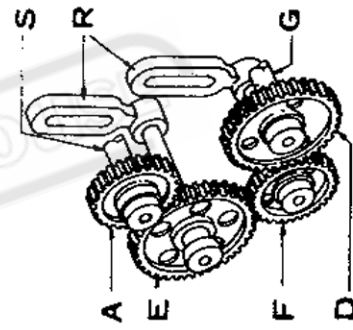
APPLICATION OF CHANGE GEARS

REMARKS:

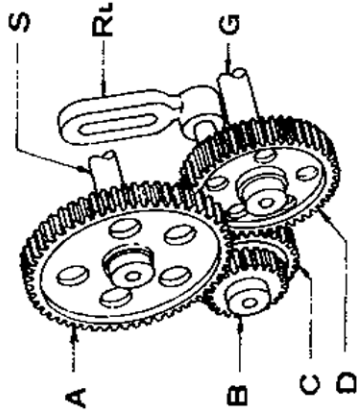
- A: gear to be hanged on spindle arbor
- B: moving wheel (I)
- C: moving wheel(II)
- D: gear rotation of gear case arbor
- E: gear(I) to be hanged on bracket
- F: gear(II) to be hanged on bracket
- G: gear case arbor
- H: holes of dividing plate
- N: rotation of crank handle
- R_L: bracket
- S: spindle arbor



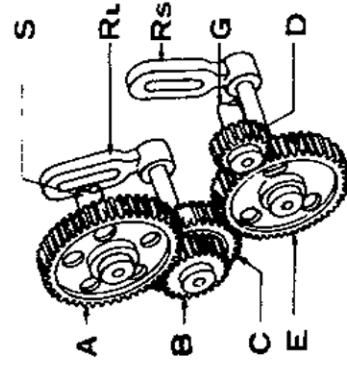
FIG(A)



FIG(B)



FIG(C)



FIG(D)

